

Pulsar™ with CoolNet™ Pro Head

Pressure Compensated emitter for cooling and humidification in upside down installation.



Pressure compensated



Simple operation

Applications



Air cooling in greenhouses



Increase relative humidity in greenhouses

/ Benefits & Features

→ Simple operation

Pulsar™ with CoolNet™ Pro design to provide several pulses per minute, according to the selected flow rate, ensure continuous water distribution over a large area in full coverage

→ Pressure compensated

Pulsar™ with CoolNet™ Pro is a pressure compensated device with static micro-emitter ensures equal amounts of water are delivered over a pressure range, with high uniformity of water distribution along the laterals. It consists of a Pressure Compensated dripper, a micro tube, a Pulsar chamber with an air bag inside, an Anti Drain valve and CoolNet™ Pro head

→ Easy installation & maintenance

Pulsar™ with CoolNet™ Pro is designed for upside-down installation

The product is modular and can be disassembled easily for maintenance

The product is made of plastic materials resistant to standard nutrients used in agricultural

Specifications & Recommendations

- ✔ 3 different flow rates: 8, 12, 15l/h
- ✔ Minimum pressure at the AD valve: 3.5 bar for anti drain Valve with purple pin
- ✔ Locking clip for physical lock or double lock in between the Pulsar body to the AD valve
- ✔ Pressure regulation range: 3.5-4.0 micro-emitter type: CoolNet™ Pro 14.0 x 4 cross model
- ✔ Pulse operation: The pulse on-time and off-time is depended on the dripper flow rate and can't be contolled by system controller as done with standalone CoolNet™ Pro
- ✔ Installation recommendations:
 - 3.0 x 3.0m rectangular pattern, as high as possible, all the emitters at the same level
 - Upside down installation
- ✔ Color code:
 - CoolNet Pro nozzle color code: 4x14.0 1 Sky Clue
 - PCJ Dripper: Colored coded according to the flow rate: 8l/h Green, 12l/h Fuchsia, 15l/h Black
- ✔ Note: To assure proper operation of the pulsar in upside-down installation, verify that the hydraulic system includes air release valves. According to Netafim expert team's instructions
- ✔ Recommended filtration*: 130micron / 120mesh

*Note: Filtration method shall be selected based on the type and concentration of the dirt particles contained in the water. Wherever sand exceeding 2ppm exists in the water, a Hydrocyclone shall be installed before the main filter. Wherever sand/ silt/ clay solids exceed 100 ppm, pre-treatment shall be applied according to Netafim™ instructions

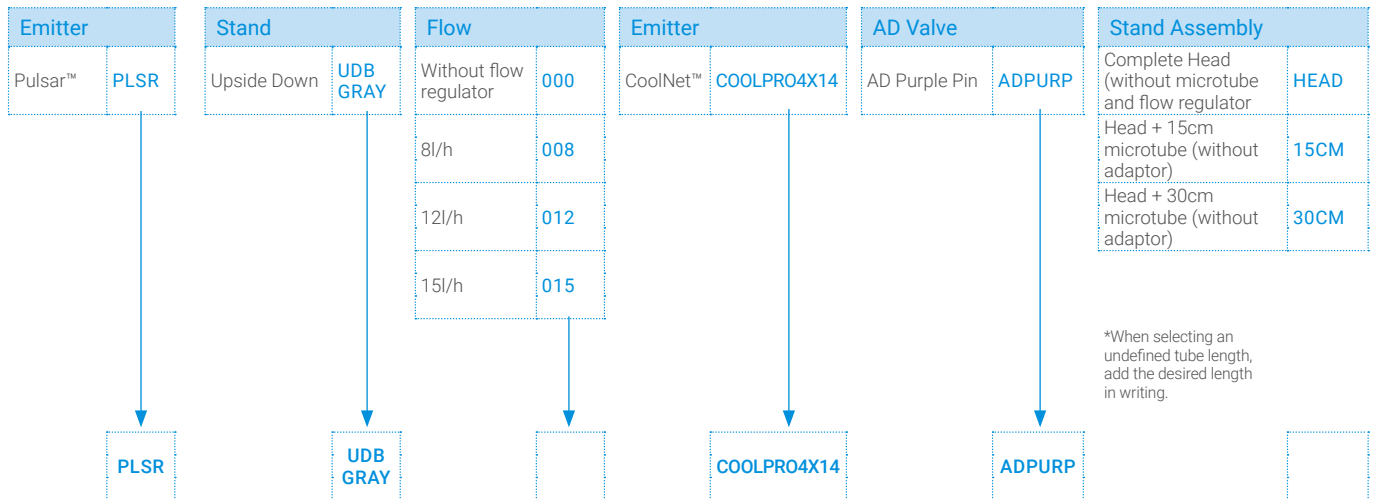
→ Packaging Data

Pulsar™	Quantity P/ Box Units	Box Size (cm x cm x cm)	Box Weight (kg)	Boxes P/Pallet	Total Units P/Pallet	Pallet Weight (kg)
Complete ud stand (30cm)	100	28 x 27 x 113	7.6	16	1,600	122

→ Ordering Information

Flowchart to determine the desired product definition

How to use: To determine the desired product definition select one of every set of options displayed on the chart.



→ Description And Catalog Number Sample

PLSR UDB GRAY 008 COOLPRO4X14 ADPURP 15CM

catalog number: 63700-004300

Product components: Pulsar™, Flow regulator 8.0l/h, 15cm gray micro-tube, tube with barb inlet connector, AD valve with purple pin, CoolNet™ Pro head.